

ADP-18AC Series

Single Output AC adapter



Features:

- 19.2W Max. Continuous Output Power
- Super Mini Footprint (3.09" × 1.97" × 1.08") and Light Weight
- Universal, Full Range, AC Input: 90 ~ 264Vac
- Low Output Ripple and Noise
- Over-Voltage and Short Circuit Protection
- Built-in EMC Filter
- cUL, TUV, Nemko safety approvals

Electrical Specs

INPUT	
Input Range	90 ~ 264VAC
Frequency	47 ~ 63 Hz
Inrush Current	< 30A peak @ 120 VAC < 60A peak @ 230 VAC cold start @ 25°C
Leakage Current	0.25mA @ 230 VAC, 50Hz
OUTPUT	
Maximum Power	19.2W Continuous
Efficiency	75% typical
Total Regulation (Line and Load)	±5%
Transient Response	±5% max deviation @ 25% step of full load
Hold-up Time	> 5ms @ 120 VAC, Full load > 12ms @ 230VAC, Full load
OVP Protection	125% output Vol. ± 15%
Short Protection	Auto-Restart Mode

General

LED	Output state(Light=Power on)
Switching Freq.	70K Hz fixed
Isolation Voltage	3000 VAC
Weight	0.123Kg (0.271 lbs.) max
MTBF	>150000 Hrs @ 25 °C by MIL-HDBK-217F

Environmental

Operating Temp.	0°C ~ 40°C
Storage Temp.	-20°C ~ 80°C
Temp. Derating	Decrease to 66% load from 40°C to 70°C
Relative Humidity	5% ~ 95% RH Non-Condensing
Vibration	1G, 5Hz ~ 50Hz @ three orthogonal axes
Shock	20G peak

Safety

cUL	UL60950
TUV	IEC60950
Nemko	IEC60950

EMC

Conducted Emissions	EN55022, FCC Part 15 Level B
Radiated Emissions	EN55022, FCC Part 15 Level A

Amperor Inc.
11320 Neeshaw Dr.
Houston, TX 77065
1-281-807-3320
<http://www.amperor.com>

Amperor Europe Ltd.
30 Ballot Road
Irvine KA12 OHW Scotland U.K
44-(0)-1294-272400

Intertek Corp, an Amperor Company
4th, Fl, Far East World Centre
Hsin Tai Wu Road, Hsin-Chih, Taipei, Taiwan R.O.C
886-2-2698-2239

ADP-18AC Series

Single Output AC adapter



Order Information

Model name	Max Output Power	Efficiency	Output	Regulation	Ripple & Noise	OVP
ADP-12AC-05	12.5W	60%	5V @ 2.5A	5%	50mVp-p	6.8V
ADP-12AC-06	12W	70%	6V @ 2A	5%	60mVp-p	8.2V
ADP-12AC-07	7W	75%	7V @ 1A	5%	100mVp-p	8.2V
ADP-12AC-12	12W	75%	12V @ 1A	5%	100mVp-p	14V
ADP18AC-09	18W	70%	9V @ 2A	5%	100mVp-p	11V
ADP18AC-12	18W	75%	12V @ 1.5A	5%	100mVp-p	14V
ADP18AC-48	19.2W	80%	48V @ 0.4A	4%	300mVp-p	56V

(*1)

(*2)

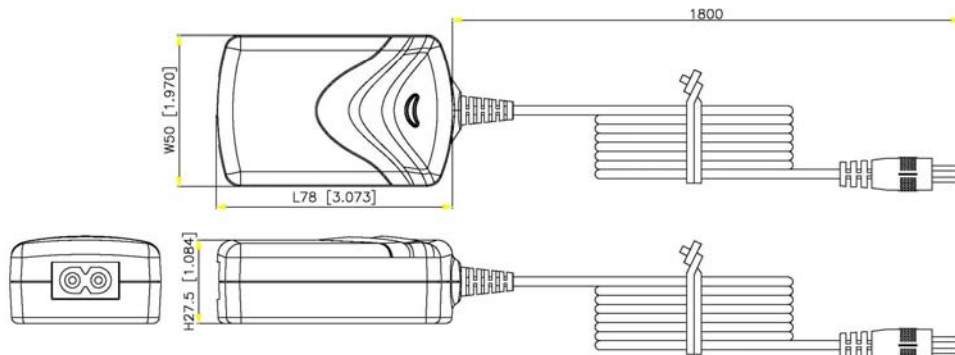
(*3)

*1. Max. Output Power is the max. continuous power the adapter can deliver.

*2. Efficiency is measured at 120Vac, full load.

*3. Ripple and Noise is measured with a 10uF aluminum electrolytic capacitor and a 0.1uF ceramic capacitor connected in parallel to the load, at max. load.

Mechanical formation



Note: 1. All dimensions in mm(inches)

2. Detailed mechanical drawing upon request

De-Rating Curve

Power vs. Ambient Temperature Curve is upon request